

ASTER

superthin (software)
terminal client
for MS Windows
XP/Vista/7/TS

www.ibik.ru

Now several users
**CAN WORK
WITH ONE PC**
simultaneously and
independent...



Multiseat Software for Windows XP/7/8/10

Forget about thin clients and terminals! ASTER is a program (and only a program!), which allows several users to work with one computer independently as if each of them had their own PC.

ASTER is a shared computer access software solution and does not use hardware thin clients or terminal stations. To create an additional workplace, you just need to connect to system block an additional monitor, keyboard and mouse (and if it is needed - microphone, speaker, joystick or gamepad). Monitors may be connected by VGA/DVI/HDMI/DP cables. Other devices - by USB cables:

Software-based Solutions



For home application



Schools and universities



Workstations in offices, banks, and post offices



Accounts departments



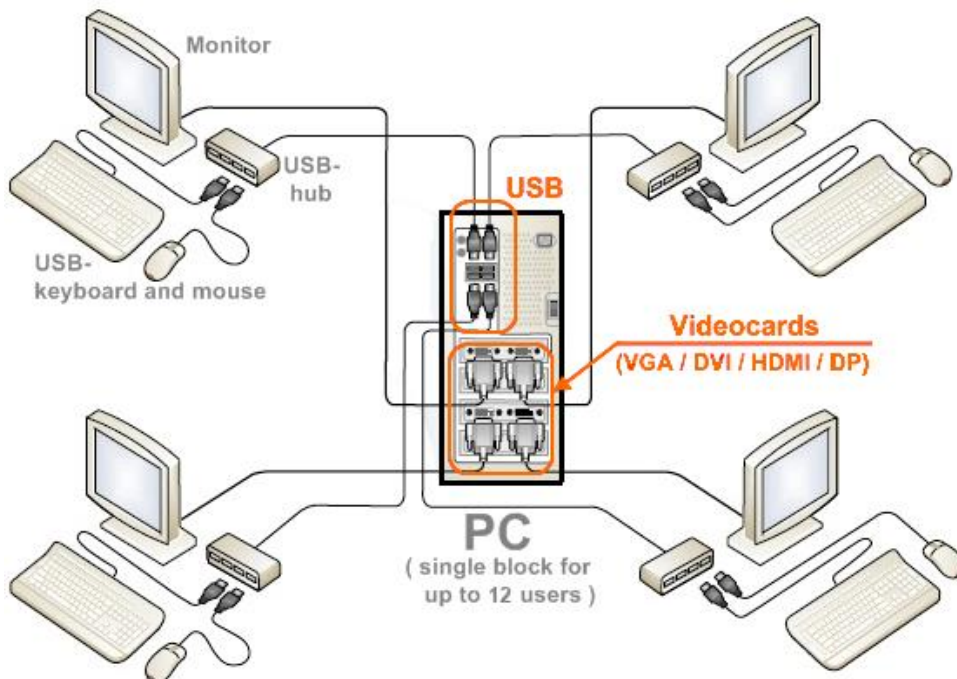
Computer testing and training



Internet-cafes



Check-out points and check-in desks



After the installation and start-up process, ASTER will present a separate desktop on each monitor (dual screen) and users will be able to work with the computer as independently as if each of them had their own PC.



Libraries, museums, and reading rooms



Exhibitions, seminars, conferences, presentations

ASTER

superthin (software)
terminal client
for MS Windows
XP/Vista/7/TS

www.ibik.ru

Now several users
CAN WORK
WITH ONE PC
simultaneously and
independent...



The program ensures stable operation with a standard set of office, accounting, and training software, graphic applications, and even 3D games. Among our users are the state organizations (e.g. Federal Mail of Russia – over 15 000 setting), the educational and medicine organizations, small enterprises and home users more than in 50 countries of the world.

Today **Aster** is the fastest program of virtualization of desktops e.g. allowing on each desktop independently to play back video or to play computer games, and unique completely the software decision for MS Windows 7/8/10.

Benefits of shared computer access as compared to a separate PC

- Low noise level
- Space is saved
- Upgrading costs are cut down
- Easy application
- Electric power is saved
- Local network is not required
- Environmentally friendly

Comparison with similar shared access and dual monitor software

- Unlike a terminal station or a thin client, excellent operation with graphic applications
- Low price
- Compatibility with most modern video cards
- Responsive support
- Ideal solution for inexpensive computerization of universities, government and commercial companies

www.ibik.ru



Software-based Solutions



For home application



Schools and universities



Workstations in offices, banks, and post offices



Accounts departments



Computer testing and training



Internet-cafes



Check-out points and check-in desks



Libraries, museums, and reading rooms



Exhibitions, seminars, conferences, presentations